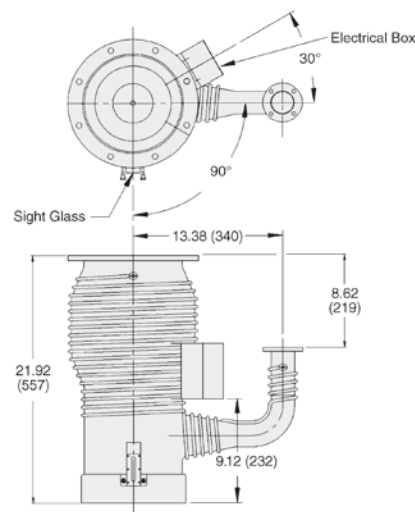


PUMP MODELS

▶ Agilent VHS-6



Dimensions: inches (millimeters)

Technical Specifications

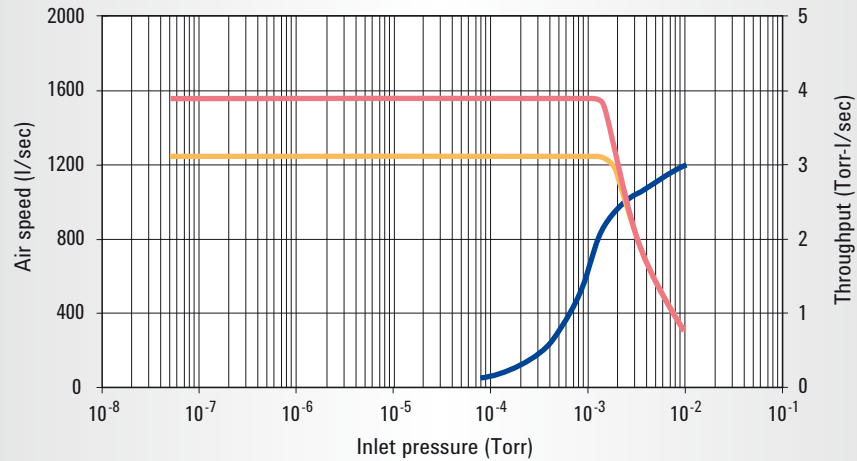
Pumping speed, operating range	1,550 l/s air, 1,930 l/s He/H ₂
Pumping speed*, AVS 4.1 (1963)	2,400 l/s air
Maximum throughput	2.4 T-l/s (3.2 mbar-l/s) in operating range, 3.5 T-l/s (4.5 mbar-l/s) @ 0.01 Torr
Operating range	1.5 x 10 ⁻³ to <5 x 10 ⁻⁹ Torr (2 x 10 ⁻³ to < 6.5 x 10 ⁻⁹ mbar)
Maximum forepressure	No load: 0.65 Torr (0.85 mbar) Full load: 0.55 Torr (0.72 mbar)
Recommended backing pump	≥17 cfm (29 m ³ /hr)
Backstreaming rate**, standard cold cap	<5 x 10 ⁻⁴ mg/cm ² /min
Warmup time	10 minutes
Cooldown time	10 minutes (with quick cool coil)
Fluid charge	500 cc – exact fluid charge available
Electrical requirements	1 ph, 50/60 Hz, 120/208/240 VAC
Pump power	2200 watts
Cooling water requirements	0.25 gpm (50 l/hr) at 60-80 °F (15-26 °C)
Water connections	½ in. FPT Tee

* For an explanation of pumping speed measurements, please see page 34.

** Refer to page 32 for a description of test methods.

DIFFUSION PUMPS

VHS-6 Pumping Speed - Air/N₂



— Pumping speed/Standard cold cap — Pumping speed/Extended cold cap — Throughput

Ordering Information

Description	Voltage	Weight kg (lbs)	Part Number	
			Flange Type ASA	ISO
VHS-6 Pump				
VHS-6 with standard cold cap	120 V	34.0 (75.0)	85826301	L6193301
VHS-6 with extended cold cap	120 V	34.0 (75.0)	85826311	L6193311
VHS-6 with standard cold cap	208 V	34.0 (75.0)	85826306	L6193306
VHS-6 with extended cold cap	208 V	34.0 (75.0)	85826316	L6193316
VHS-6 with standard cold cap	240 V	34.0 (75.0)	85826302	L6193302
VHS-6 with extended cold cap	240 V	34.0 (75.0)	85826312	L6193312
Accessories				
Water-cooled baffle with ASA flanges	31	7.0 (15.0)	F8277306	
Water-cooled baffle with ISO flanges	31	7.0 (15.0)	F8277307	
Santovac 5 diffusion pump fluid, 500 cc (exact pump charge)	30	1.1 (2.5)	695405005	
Centering ring for ISO inlet flange, 200K		0.5 (1.0)	IC200SV	
Centering ring for ISO foreline flange, KF50		0.2 (0.5)	KC50SV	
Installation and Operation Manual (download from www.agilent.com/chem/vacuum)			699901022	
Replacement Parts (one heater required per pump)				
2200 W, 120 V heater		0.5 (1.0)	647306125	
2200 W, 208 V heater		0.5 (1.0)	647306175	
2200 W, 240 V heater		0.5 (1.0)	647306225	
Heater clamping assembly (includes clamping plate, cover plate, insulator)			86643301	
Heater cover plate (one required per pump)		1.0 (2.0)	86088001	
Heater insulator (one required per pump)		0.2 (0.5)	86087001	
Heater clamping plate (one required per pump)		0.5 (1.0)	86086301	
VHS-6/250 heater wire, 10 AWG, 36 inches (3 per pump required)		0.5 (2.0)	X3901-68002	
Replacement o-ring kit (kit contains: 3 inlet flange o-rings (butyl 2-267), 3 foreline flange o-rings (butyl 2-332), sight glass o-ring and gasket, 10 fill and drain o-rings (Viton 2-113))		0.5 (1.0)	K0377184	
Thermal switch (set at 300 °F – 147 °C)		0.5 (1.0)	642906025	
Extended cold cap	31	0.5 (1.0)	F6455001	

NOTE

- Inlet flange 6 in. ASA , foreline flange 1.5 in. ASA
- Inlet flange ISO 200K, foreline flange ISO KF50
- Pumps with ISO flanges do not include required centering rings