



A&N CORPORATION

HYBRID ADAPTERS





Hybrid Adapters Introduction 8.3

Vacuum Flange to Vacuum Flange Adapters

CF to QF Adapter Fitting.....	8.4
CF to QF Adapter Fitting – Conical.....	8.5
CF to LF Adapter Fitting	8.6
CF to LF Adapter Fitting – Conical.....	8.7
CF to ASA/ANSI Adapter Flange	8.8
CF to ASA/ANSI Adapter Fitting – Conical.....	8.9
CF to ASA/ANSI Adapter Fitting.....	8.10 & 8.11
QF to ASA/ANSI Adapter Fitting	8.12
QF to ASA/ANSI Adapter Fitting – Conical	8.13
LF to ASA/ANSI Adapter Fitting.....	8.14
LF to ASA/ANSI Adapter Fitting – Conical.....	8.15

Vacuum Flange to Process Fitting Adapters

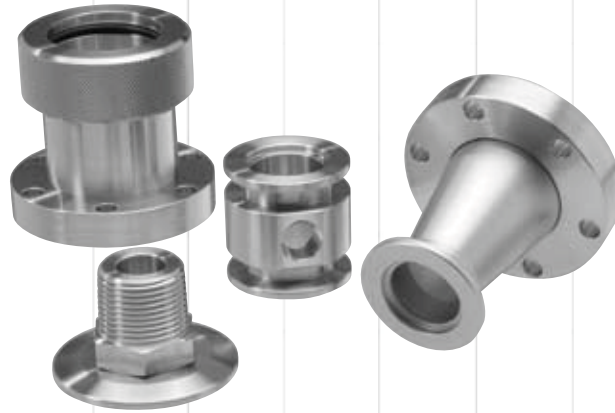
Hose Adapter to QF – Aluminum	8.16
Hose Adapter to QF – Stainless Steel.....	8.16
NPT Female to CF Adapter Flange – Front Port.....	8.17
NPT Female to CF Adapter Flange – Side Port(s).....	8.17
NPT Female to QF Adapter Flange – Stainless Steel	8.18
NPT Female to QF Adapter Flange – Aluminum	8.18
NPT Female to QF Adapter Flange – Brass.....	8.19
NPT Female to QF Adapter Tee – Stainless Steel	8.19
NPT Female to QF Adapter Tee – Aluminum.....	8.19
NPT Male to QF Adapter.....	8.20
VCR® Female to CF Adapter	8.21
VCR® Male to CF Adapter.....	8.21
VCR® Female to QF Adapter.....	8.22
VCR® Male to QF Adapter	8.23
Swagelok® to CF Adapter.....	8.24
Swagelok® to QF Adapter.....	8.25
Quick Disconnect to CF Adapter	8.26
Quick Disconnect to QF Adapter.....	8.27
Baseplate Fitting to CF Adapter	8.28
Baseplate Fitting to QF Adapter	8.28
Baseplate Fitting to NPT Female Adapter	8.29
Baseplate Fitting to Quick Disconnect.....	8.30
Baseplate Blank Plug.....	8.31
Ball Socket Fitting to QF Adapter.....	8.32
Ball Socket Fitting to LF Adapter	8.33
Welch Pump Adapter Fitting to QF	8.33

A&N Corporation

707 SW 19th Ave.
Williston, FL 32696
1(800) FLANGE1
FAX (352) 528-3441
www.ancorp.com



Hybrid ADAPTERS



Overview

A&N hybrid adapter fittings allow vacuum users to connect two dissimilar vacuum flanges or a vacuum flange to a fitting used in conjunction with vacuum process (Swagelok®, VCR®, NPT). To minimize the effect this transition fitting has on conductance, hybrid adapters are designed with the shortest length and with the largest inner diameter possible.

Please note that hybrid adapters are not used to change sizes within one flange family. Fittings used to connect two differently sized flanges from within the same vacuum flange family are called reducer fittings. These fittings can be found in the catalog section for that specific flange family.

Specifications

- Vacuum rating:
 - UHV hybrid adapters: CF to Swagelok® or CF to VCR®
 - HV hybrid adapters: All flanges and fittings that include an elastomer seal
- Leak rating < 1x10⁻⁹ std. cc/s helium
- Temperature range:
 - Metal seal flanges and fittings: -200°C up to 450°C
 - Elastomer seal flanges and fittings -20°C up to 200°C
- Materials:
 - Flanges and fittings: 304 stainless steel, brass and aluminum
 - Flange seals: see the catalog section for that specific flange for its sealing options
 - Fitting seals: Viton® or Buna (Swagelok® and VCR® seals are not included with the assembly)

Features

- Adapt from one family of vacuum flanges or fittings to another
- Allows connection of vacuum flanges to non-vacuum fittings.
- Wide variety of design options to meet your application needs.

Flange to Flange

These fittings allow transitions between two dissimilar flange families - for example a CF flange to an ISO-QF. Common uses for these fittings include retro-fitting an existing vacuum system or adding gauges and instrumentation.

Flange to Fitting

These fittings allow transitions between standard vacuum flanges and a variety of specialty fittings employed in a vacuum system. An example of this is a QF flange to VCR® fitting. Common uses for these fittings include the introduction of process gasses into a chamber or the addition of gauges or instrumentation.

TECH TIP

ISO-QF and ISO-LF look different, but are in fact part of the same vacuum flange family. Thus QF to LF reducer fittings are listed in the ISO section of the catalog.



CF to QF Adapter Fitting

Materials

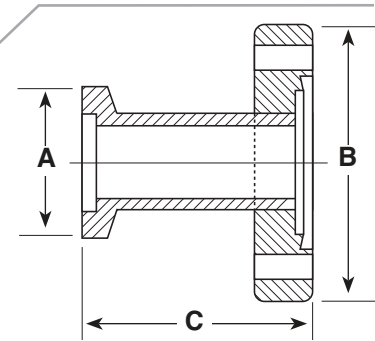
- 304 stainless steel

Product Notes

- Adapts from CF to ISO-QF flanges for the same tubing diameter.

Options: Call for price and delivery

- Custom flange combinations and additional sizes
- Tee, cross and elbow adapter fittings



PART NUMBER	REFERENCE NUMBER	TUBE O.D.	FLANGE A	FLANGE B	C
5000677	QF10X133	0.50	1.18	1.33	1.75
5000678	QF16X133	0.75	1.18	1.33	1.75
5000679	QF16X275	0.75	1.18	2.75	1.78
5000680	QF25X212	1.00	1.57	2.12	1.75
5000681	QF25X275	1.00	1.57	2.75	1.78
5000682	QF40X275	1.50	2.16	2.75	1.78
5000683	QF40X338	1.50	2.16	3.38	1.80
5000684	QF50X133	0.75	2.95	1.33	1.95
5000685	QF50X275	1.50	2.95	2.75	1.95
5000686	QF50X338	2.00	2.95	3.38	1.80

*ORDERING NOTE

Tee, cross and elbow hybrid adapters are also available - contact the sales department for a quote

A&N Corporation

707 SW 19th Ave.
Williston, FL 32696
1(800) FLANGE1
FAX (352) 528-3441
www.ancorp.com



CF to QF Adapter Fitting - Conical

Materials

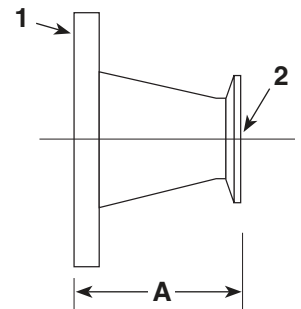
- 304 stainless steel

Product Notes

- Adapts from CF to ISO-QF flanges for different tubing diameters.

Options: Call for price and delivery

- Custom flange combinations and additional sizes
- Tee, cross and elbow adapter fittings



PART NUMBER	REFERENCE NUMBER	FLANGE 1 TYPE	FLANGE 1 TUBE O.D.	FLANGE 2 TYPE	FLANGE 2 TUBE O.D.	A
5000689	133XQF25-CR	CF133	0.75	QF25	1.00	2.03
5000690	133XQF40-CR	CF133	0.75	QF40	1.50	3.03
5000691	212XQF16-CR	CF212	1.00	QF16	0.75	1.69
5000692	212XQF40-CR	CF212	1.00	QF40	1.50	2.69
5000693	212XQF50-CR	CF212	1.00	QF50	2.00	2.69
5000694	275XQF16-CR	CF275	1.50	QF16	0.75	2.73
5000695	275XQF25-CR	CF275	1.50	QF25	1.00	2.73
5000696	275XQF50-CR	CF275	1.50	QF50	2.00	2.73
5000697	338XQF25-CR	CF338	2.00	QF25	1.00	2.75
5000698	338XQF40-CR	CF338	2.00	QF40	1.50	2.75
5000699	450XQF40-CR	CF450	2.50	QF40	1.50	2.90
5000700	450XQF50-CR	CF450	2.50	QF50	2.00	2.90
5000701	462XQF40-CR	CF462	3.00	QF40	1.50	4.06
5000702	462XQF50-CR	CF462	3.00	QF50	2.00	4.06
5000703	600XQF50-CR	CF600	4.00	QF50	2.00	4.21



CF to LF Adapter Fitting

Materials

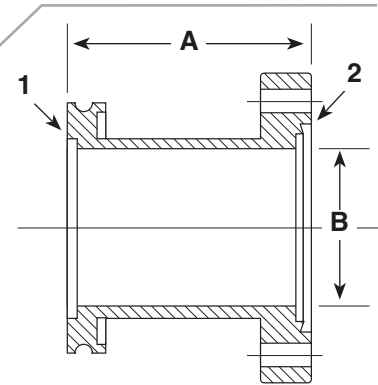
- 304 stainless steel

Product Notes

- Adapts from CF to ISO-LF flanges for the same tubing diameter.

Options: Call for price and delivery

- Custom flange combinations and additional sizes
- Tee, cross and elbow adapter fittings



PART NUMBER	REFERENCE NUMBER	TUBE O.D.	FLANGE TYPE		A	B
			1	2		
5000704	LF63X450	2.50	LF63	CF450	4.33	2.370
5000705	LF80X462	3.00	LF80	CF462	4.33	2.870
5000706	LF80X600	3.00	LF80	CF600	4.33	2.870
5000707	LF100X600	4.00	LF100	CF600	4.37	3.870
5000708	LF160X800	6.00	LF160	CF800	4.45	5.830
5000709	LF200X1000	8.00	LF200	CF1000	4.45	7.760

A&N Corporation

707 SW 19th Ave.
Williston, FL 32696
1(800) FLANGE1
FAX (352) 528-3441
www.ancorp.com



CF to LF Adapter Fitting - Conical

Materials

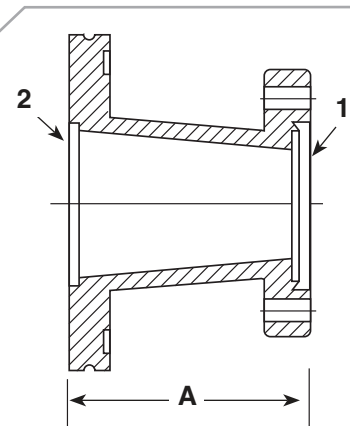
- 304 stainless steel

Product Notes

- Adapts from CF to ISO-LF flanges for different tubing diameters.

Options: Call for price and delivery

- Custom flange combinations and additional sizes
- Tee, cross and elbow adapter fittings



PART NUMBER	REFERENCE NUMBER	FLANGE 1 TYPE	FLANGE 1 TUBE O.D.	FLANGE 2 TYPE	FLANGE 2 TUBE O.D.	A
5000710	275XLF63-CR	CF275	1.50	LF63	2.50	2.834
5000711	275XLF80-CR	CF275	1.50	LF80	3.00	4.084
5000712	338XLF63-CR	CF338	2.00	LF63	2.50	2.850
5000713	338XLF80-CR	CF338	2.00	LF80	3.00	4.100
5000714	338XLF100-CR	CF338	2.00	LF100	4.00	4.100
5000715	450XLF80-CR	CF450	2.50	LF80	3.00	4.250
5000716	450XLF100-CR	CF450	2.50	LF100	4.00	4.250
5000717	462XLF63-CR	CF462	3.00	LF63	2.50	4.250
5000718	462XLF100-CR	CF462	3.00	LF100	4.00	4.250
5000719	600XLF63-CR	CF600	4.00	LF63	2.50	4.313
5000720	600XLF80-CR	CF600	4.00	LF80	3.00	4.313



CF to ASA/ANSI Adapter Flange

Materials

- 304 stainless steel

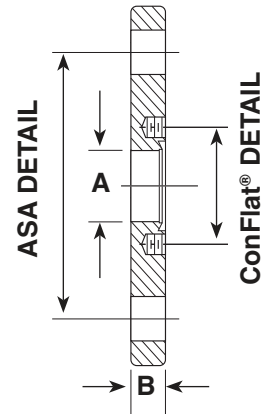
Product Notes

- Adapts from CF to ASA/ANSI flanges with minimal impact on system space.

- Order ASA/ANSI flanges with or without sealing groove

Options: Call for price and delivery

- Custom flange combinations and additional sizes



PART NUMBER	REFERENCE NUMBER	CONFLAT® DETAIL	ASA DETAIL	A	B
5000721	100ASAX133-T	133-T	100ASA	0.62	0.50
5000723	100ASAX212-T	212-T	100ASA	1.00	0.50
5000725	150ASAX133-T	133-T	150ASA	0.62	0.50
5000727	150ASAX212-T	212-T	150ASA	1.00	0.50
5000729	150ASAX275-T	275-T	150ASA	1.50	0.50
5000731	200ASAX133-T	133-T	200ASA	0.62	0.50
5000733	200ASAX212-T	212-T	200ASA	1.00	0.50
5000735	200ASAX275-T	275-T	200ASA	1.50	0.50
5000737	200ASAX338-T	338-T	200ASA	2.00	0.50
5000739	300ASAX133-T	133-T	300ASA	0.62	0.50
5000741	300ASAX212-T	212-T	300ASA	1.00	0.50
5000743	300ASAX275-T	275-T	300ASA	1.50	0.50
5000745	300ASAX338-T	338-T	300ASA	2.00	0.50
5000747	300ASAX450-T	450-T	300ASA	2.50	0.50
5000749	400ASAX133-T	133-T	400ASA	0.62	0.50
5000751	400ASAX212-T	212-T	400ASA	1.00	0.50
5000753	400ASAX275-T	275-T	400ASA	1.50	0.50
5000755	400ASAX338-T	338-T	400ASA	2.00	0.50
5000757	400ASAX450-T	450-T	400ASA	2.50	0.50
5000759	400ASAX462-T	462-T	400ASA	3.00	0.50
5000761	400ASAX600-T	600-T	400ASA	4.00	0.50
5000763	600ASAX133-T	133-T	600ASA	0.62	0.75
5000765	600ASAX212-T	212-T	600ASA	1.00	0.75
5000767	600ASAX275-T	275-T	600ASA	1.50	0.75
5000769	600ASAX338-T	338-T	600ASA	2.00	0.75
5000771	600ASAX450-T	450-T	600ASA	2.50	0.75
5000773	600ASAX462-T	462-T	600ASA	3.00	0.75
5000775	600ASAX600-T	600-T	600ASA	4.00	0.75
5000777	600ASAX800-T	800-T	600ASA	6.00	0.75

A&N Corporation

707 SW 19th Ave.
Williston, FL 32696
1(800) FLANGE1
FAX (352) 528-3441
www.ancorp.com



CF to ASA/ANSI Adapter Fitting - Conical

Materials

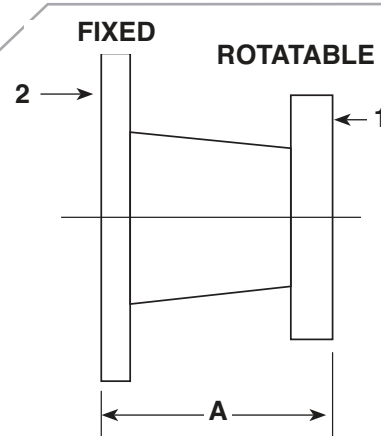
- 304 Stainless steel

Options: Call for price and delivery

- Custom Flange Combinations and additional sizes
- Tee, Cross and Elbow adapter fittings

Product Notes

- Adapts from CF to ASA/ANSI flanges for different tubing diameters.
- Order ASA/ANSI flanges with or without sealing groove



PART NUMBER	REFERENCE NUMBER	FLANGE 1 TYPE	FLANGE 1 TUBE O.D.	FLANGE 2 TYPE	FLANGE 2 TUBE O.D.	A
5000779	100ASAX133R-CR	CF133	0.75	100ASA	1.50	2.792
5000781	150ASAX212R-CR	CF212	1.00	150ASA	2.00	2.792
5000783	150ASAX275R-CR	CF275	1.50	150ASA	2.00	2.834
5000785	150ASAX338R-CR	CF338	2.00	150ASA	2.50	2.850
5000787	150ASAX450R-CR	CF450	2.50	150ASA	2.00	3.000
5000789	150ASAX462R-CR	CF462	3.00	150ASA	2.00	4.250
5000791	150ASAX600R-CR	CF600	4.00	150ASA	2.00	4.313
5000793	200ASAX275R-CR	CF275	1.50	200ASA	3.00	4.084
5000795	200ASAX338R-CR	CF338	2.00	200ASA	3.00	4.100
5000797	200ASAX450R-CR	CF450	2.50	200ASA	3.00	4.250
5000799	200ASAX600R-CR	CF600	4.00	200ASA	3.00	4.313
5000801	300ASAX338R-CR	CF338	2.00	300ASA	4.00	4.100
5000803	300ASAX450R-CR	CF450	2.50	300ASA	4.00	4.250
5000805	300ASAX462R-CR	CF462	3.00	300ASA	4.00	4.250



CF to ASA/ANSI Adapter Fitting

Materials

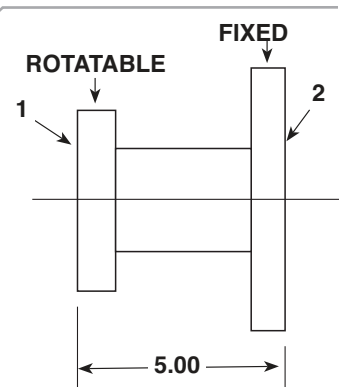
- 304 stainless steel

Product Notes

- Adapts from CF to ASA/ANSI flanges for the same tubing diameter.
- Order ASA/ANSI flanges with or without sealing groove

Options: Call for price and delivery

- Custom Flange Combinations and additional sizes
- Tee, Cross and Elbow adapter fittings



PART NUMBER	REFERENCE NUMBER	FLANGE STYLE		TUBE OD
		1	2	
5000807	100ASAX133R-N	CF133	100ASA	0.75
5000809	100ASAX212R-N	CF212	100ASA	1.00
5000811	100ASAX275R-N	CF275	100ASA	1.50
5000813	150ASAX133R-N	CF133	150ASA	0.75
5000815	150ASAX212R-N	CF212	150ASA	1.00
5000817	150ASAX275R-N	CF275	150ASA	1.50
5000819	200ASAX133R-N	CF133	200ASA	0.75
5000821	200ASAX212R-N	CF212	200ASA	1.00
5000823	200ASAX275R-N	CF275	200ASA	1.50
5000825	200ASAX338R-N	CF338	200ASA	2.00
5000827	200ASAX450R-N	CF450	200ASA	2.50
5000829	200ASAX462R-N	CF462	200ASA	3.00
5000831	300ASAX133R-N	CF133	300ASA	0.75
5000833	300ASAX212R-N	CF212	300ASA	1.00
5000835	300ASAX275R-N	CF275	300ASA	1.50
5000837	300ASAX338R-N	CF338	300ASA	2.00
5000839	300ASAX450R-N	CF450	300ASA	2.50
5000841	300ASAX462R-N	CF462	300ASA	3.00
5000843	400ASAX133R-N	CF133	400ASA	0.75
5000845	400ASAX212R-N	CF212	400ASA	1.00
5000847	400ASAX275R-N	CF275	400ASA	1.50
5000849	400ASAX338R-N	CF338	400ASA	2.00
5000851	400ASAX450R-N	CF450	400ASA	2.50
5000853	400ASAX462R-N	CF462	400ASA	3.00
5000855	400ASAX600R-N	CF600	400ASA	4.00
5000857	600ASAX133R-N	CF133	600ASA	0.75
5000859	600ASAX212R-N	CF212	600ASA	1.00
5000861	600ASAX275R-N	CF275	600ASA	1.50
5000863	600ASAX338R-N	CF338	600ASA	2.00
5000865	600ASAX450R-N	CF450	600ASA	2.50
5000867	600ASAX462R-N	CF462	600ASA	3.00
5000869	600ASAX600R-N	CF600	600ASA	4.00
5000871	600ASAX800R-N	CF800	600ASA	6.00

*ORDERING NOTE

See pg. 8.8 for CF to ASA conical flange adapters

A&N Corporation

707 SW 19th Ave.
Williston, FL 32696
1(800) FLANGE1
FAX (352) 528-3441
www.ancorp.com



PART NUMBER	REFERENCE NUMBER	FLANGE STYLE		TUBE OD
		1	2	
5000873	800ASAX133R-N	CF133	800ASA	0.75
5000875	800ASAX212R-N	CF212	800ASA	1.00
5000877	800ASAX275R-N	CF275	800ASA	1.50
5000879	800ASAX338R-N	CF338	800ASA	2.00
5000881	800ASAX450R-N	CF450	800ASA	2.50
5000883	800ASAX462R-N	CF462	800ASA	3.00
5000885	800ASAX600R-N	CF600	800ASA	4.00
5000887	800ASAX800R-N	CF800	800ASA	6.00
5000889	800ASAX1000R-N	CF1000	800ASA	8.00
5000891	1000ASAX133R-N	CF133	1000ASA	0.75
5000893	1000ASAX212R-N	CF212	1000ASA	1.00
5000895	1000ASAX275R-N	CF275	1000ASA	1.50
5000897	1000ASAX338R-N	CF338	1000ASA	2.00
5000899	1000ASAX450R-N	CF450	1000ASA	2.50
5000901	1000ASAX462R-N	CF462	1000ASA	3.00
5000903	1000ASAX600R-N	CF600	1000ASA	4.00
5000905	1000ASAX800R-N	CF800	1000ASA	6.00
5000907	1000ASAX1000R-N	CF1000	1000ASA	8.00
5000909	1000ASAX1325R-N	CF1325	1000ASA	10.00



QF to ASA/ANSI Adapter Fitting

Materials

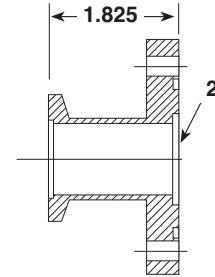
- 304 stainless steel

Product Notes

- Adapts from QF to ASA/ANSI flanges for the same tubing diameter.

Options: Call for price and delivery

- Custom flange combinations and additional sizes



PART NUMBER	REFERENCE NUMBER	FLANGE STYLE		TUBE OD
		1	2	
6000376	QF16X100ASA	QF16	100ASA	0.75
6000378	QF16X150ASA	QF16	150ASA	0.75
6000380	QF16X200ASA	QF16	200ASA	0.75
6000382	QF16X300ASA	QF16	300ASA	0.75
6000384	QF16X400ASA	QF16	400ASA	0.75
6000386	QF16X600ASA	QF16	600ASA	0.75
6000388	QF25X200ASA	QF25	200ASA	1.00
6000390	QF25X300ASA	QF25	300ASA	1.00
6000392	QF25X400ASA	QF25	400ASA	1.00
6000394	QF25X600ASA	QF25	600ASA	1.00
6000396	QF40X150ASA	QF40	150ASA	1.50
6000398	QF40X200ASA	QF40	200ASA	1.50
6000400	QF40X300ASA	QF40	300ASA	1.50
6000402	QF40X400ASA	QF40	400ASA	1.50
6000404	QF40X600ASA	QF40	600ASA	1.50
6000406	QF50X150ASA	QF50	150ASA	2.00
6000408	QF50X200ASA	QF50	200ASA	2.00
6000410	QF50X300ASA	QF50	300ASA	2.00
6000412	QF50X400ASA	QF50	400ASA	2.00
6000414	QF50X600ASA	QF50	600ASA	2.00

* ORDERING NOTE

Order ASA/ANSI flanges with or without sealing groove

A&N Corporation

707 SW 19th Ave.
Williston, FL 32696
1(800) FLANGE1
FAX (352) 528-3441
www.ancorp.com



QF to ASA/ANSI Adapter Fitting - Conical

Materials

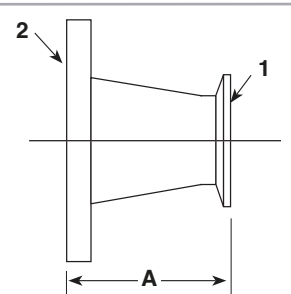
- 304 stainless steel

Product Notes

- Adapts from QF to ASA/ANSI flanges for different tubing diameters.

Options: Call for price and delivery

- Custom flange combinations and additional sizes



PART NUMBER	REFERENCE NUMBER	FLANGE 1 TYPE	FLANGE 1 TUBE O.D.	FLANGE 2 TYPE	FLANGE 2 TUBE O.D.	A
6000466	QF16X100ASA-CR	QF16	0.75	100ASA	1.50	2.795
6000468	QF16X150ASA-CR	QF16	0.75	150ASA	1.50	2.795
6000470	QF25X100ASA-CR	QF25	1.00	100ASA	1.50	2.795
6000472	QF25X150ASA-CR	QF25	1.00	150ASA	1.50	2.795
6000474	QF40X150ASA-CR	QF40	1.50	150ASA	2.50	2.795
6000476	QF40X200ASA-CR	QF40	1.50	200ASA	3.00	4.045
6000478	QF40X300ASA-CR	QF40	1.50	300ASA	3.00	4.045
6000480	QF50X150ASA-CR	QF50	2.00	150ASA	2.50	2.795
6000482	QF50X200ASA-CR	QF50	2.00	200ASA	3.00	4.045
6000484	QF50X300ASA-CR	QF50	2.00	300ASA	4.00	4.045



LF to ASA/ANSI Adapter Fitting

Materials

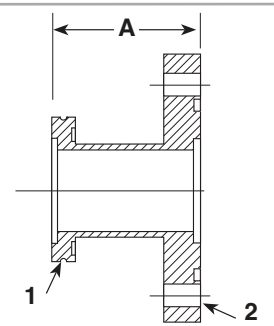
- 304 stainless steel

Product Notes

- Adapts from LF to ASA/ANSI flanges for the same tubing diameter.

Options: Call for price and delivery

- Custom flange combinations and additional sizes



PART NUMBER	REFERENCE NUMBER	FLANGE STYLE		A	TUBE OD
		1	2		
6000416	LF63X100ASA	LF63	100ASA	4.19	1.50
6000418	LF63X150ASA	LF63	150ASA	4.19	2.50
6000420	LF63X200ASA	LF63	200ASA	4.19	2.50
6000422	LF80X100ASA	LF80	100ASA	4.19	1.50
6000424	LF80X150ASA	LF80	150ASA	4.19	2.50
6000426	LF80X200ASA	LF80	200ASA	4.19	3.00
6000428	LF100X300ASA	LF100	300ASA	4.19	4.00
6000430	LF100X400ASA	LF100	400ASA	4.19	4.00
6000432	LF160X300ASA	LF160	300ASA	4.19	4.00
6000434	LF160X400ASA	LF160	400ASA	4.19	6.00
6000436	LF160X600ASA	LF160	600ASA	4.32	6.00
6000438	LF200X300ASA	LF200	300ASA	4.19	4.00
6000440	LF200X400ASA	LF200	400ASA	4.19	6.00
6000442	LF200X600ASA	LF200	600ASA	4.32	8.00

A&N Corporation

707 SW 19th Ave.
Williston, FL 32696
1(800) FLANGE1
FAX (352) 528-3441
www.ancorp.com



LF to ASA/ANSI Adapter Fitting - Conical

Materials

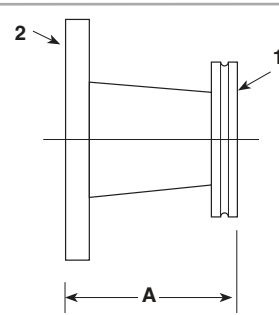
- 304 Stainless steel

Product Notes

- Adapts from LF to ASA/ANSI flanges for different tubing diameters.

Options: Call for price and delivery

- Custom flange combinations and additional sizes



PART NUMBER	REFERENCE NUMBER	FLANGE 1 TYPE	FLANGE 1 TUBE O.D.	FLANGE 2 TYPE	FLANGE 2 TUBE O.D.	A
6000444	LF63X100ASA-CR	LF63	2.50	100ASA	1.50	2.875
6000446	LF63X150ASA-CR	LF63	2.50	150ASA	2.00	2.875
6000448	LF63X200ASA-CR	LF63	2.50	200ASA	3.00	4.125
6000450	LF63X300ASA-CR	LF63	2.50	300ASA	4.00	4.125
6000452	LF80X100ASA-CR	LF80	3.00	100ASA	1.50	4.125
6000454	LF80X150ASA-CR	LF80	3.00	150ASA	2.00	4.125
6000456	LF80X200ASA-CR	LF80	3.00	200ASA	2.50	4.125
6000458	LF80X300ASA-CR	LF80	3.00	300ASA	4.00	4.125
6000460	LF100X150ASA-CR	LF100	4.00	150ASA	2.00	4.125
6000462	LF100X200ASA-CR	LF100	4.00	200ASA	2.50	4.125
6000464	LF100X300ASA-CR	LF100	4.00	300ASA	3.00	4.125

*ORDERING NOTE

Order ASA/ANSI flanges with or without sealing groove



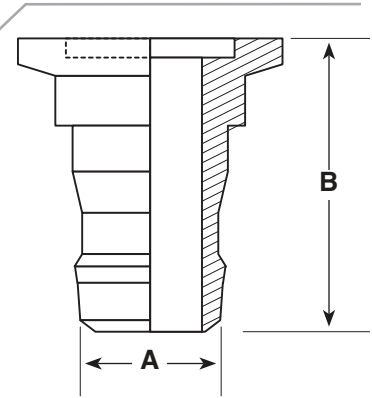
Hose Adapter to QF - Aluminum

Materials

- 2011 aluminum

Product Notes

- Adapts from rubber or PVC vacuum hose to ISO-QF flanges



PART NUMBER	REFERENCE NUMBER	HOSE SIZE (I.D.)	A	B
4000256	QF10-50/63-H	0.50 or 0.63	0.63	1.63
4000257	QF16-50/63-H	0.50 or 0.63	0.63	1.63
4000258	QF16-63/75-H	0.63 or 0.75	0.75	1.63
4000259	QF25-50/63-H	0.50 or 0.63	0.63	1.63
4000261	QF25-75/88-H	0.75 or 0.88	0.88	1.73
4000262	QF40-150/163-H	1.50 or 1.63	1.63	2.17
4000263	QF50-150/163-H	1.50 or 1.63	1.63	2.17



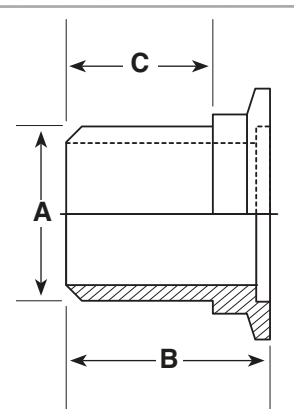
Hose Adapter to QF - Stainless Steel

Materials

- 304 Stainless steel

Product Notes

- Adapts from rubber or PVC vacuum hose to ISO-QF flanges



PART NUMBER	REFERENCE NUMBER	HOSE SIZE (I.D.)	A	B	C
4000264	QF10-050-SH	0.50	0.50	1.26	0.79
4000265	QF16-050-SH	0.50	0.50	1.26	0.79
4000266	QF16-075-SH	0.75	0.75	1.26	0.79
4000267	QF25-100-SH	1.00	1.00	1.50	1.02
4000268	QF40-150-SH	1.50	1.50	1.97	1.50
4000269	QF50-200-SH	2.00	2.00	2.17	1.61

A&N Corporation

707 SW 19th Ave.
Williston, FL 32696
1(800) FLANGE1
FAX (352) 528-3441
www.ancorp.com



NPT Female to CF – Front Port

Product Features:

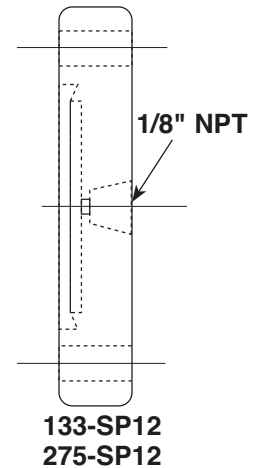
- Ideal for adding vacuum accessories (vacuum measurement, valves, etc.) or gas lines to your system.
- Use standard CF gaskets to seal
- Self-aligning
- Sexless flanges
- Interchangeable with other ConFlat® style flanges
- Adapters to other flange systems available see Section 8

Product Specifications:

- Pressure range: UHV
- Temperature range: -200°C up to 450°C
- Standard materials: 304 grade stainless steel

Options: Call for price and availability

- Tapped bolt holes
- Alternative materials – aluminum, etc.



PART NUMBER	REFERENCE NUMBER	DESCRIPTION
-------------	------------------	-------------

5000208	133XSP12	1.33 Flange - (1) 1/8 in. NPT Hole
5000209	275XSP12	2.75 Flange - (1) 1/8 in. NPT Hole



NPT Female to CF Double Sided Flange – Side Port(s)

Product Features:

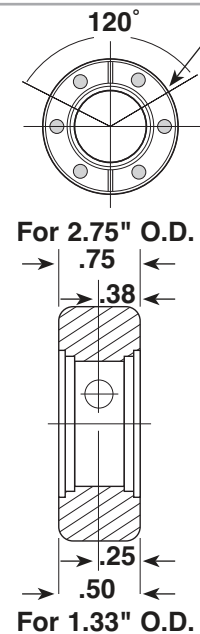
- Ideal for adding vacuum accessories (vacuum measurement, valves, etc.) or gas lines to your system.
- Requires special CF double sided flange bolt kit for fastening
- Use standard CF gaskets to seal
- Self-aligning
- Sexless flanges
- Interchangeable with other ConFlat® style flanges
- Adapters to other flange systems available see Section 8

Product Specifications:

- Pressure range: UHV (approx. 1×10^{-13} Torr)
- Temperature range: -200°C up to 450°C
- Standard materials: 304 grade stainless steel

Options: Call for price and availability

- Tapped bolt holes
- Alternative materials – aluminum, etc.



PART NUMBER	REFERENCE NUMBER	DESCRIPTION
-------------	------------------	-------------

5000220	133DXSP06	1.33 Flange - (1) 1/16 in. NPT Hole
5000221	275DXSP12	2.75 Flange - (1) 1/8 in. NPT Hole
5000222	133DXSP06-2	1.33 Flange - (2) 1/16 in. NPT Holes
5000223	275DXSP12-2	2.75 Flange - (2) 1/8 in. NPT Holes



NPT Female to QF

Materials

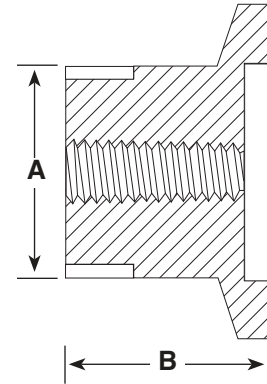
- 304 stainless steel, aluminum or brass

Options: Call for price and delivery

- Additional sizes

Product Notes

- Adapts from NPT fitting to ISO-QF



*ORDERING NOTE

For NPT male fittings to ISO-QF see pg. 9.17

Stainless Steel

PART NUMBER	REFERENCE NUMBER	A	B
4000189	QF10XSP12	0.62	0.75
4000190	QF10XSP25	0.62	0.75
4000191	QF16XSP12	0.62	0.75
4000192	QF16XSP25	0.62	0.75
4000193	QF25XSP12	0.88	0.75
4000194	QF25XSP25	0.88	0.75
4000195	QF40XSP12	1.25	1.00
4000196	QF40XSP25	1.25	1.00
4000197	QF50XSP12	1.75	1.00
4000198	QF50XSP25	1.75	1.00

Aluminum

PART NUMBER	REFERENCE NUMBER	A	B
4000199	QF10XAP12	0.62	0.75
4000200	QF10XAP25	0.62	0.75
4000201	QF16XAP12	0.62	0.75
4000202	QF16XAP25	0.62	0.75
4000203	QF25XAP12	0.88	0.75
4000204	QF25XAP25	0.88	0.75
4000205	QF40XAP12	1.25	1.00
4000206	QF40XAP25	1.25	1.00
4000207	QF50XAP12	1.75	1.00
4000208	QF50XAP25	1.75	1.00

A&N Corporation

707 SW 19th Ave.
Williston, FL 32696
1(800) FLANGE1
FAX (352) 528-3441
www.ancorp.com



Brass

PART NUMBER	REFERENCE NUMBER	A	B
4000209	QF10XBP12	0.62	0.75
4000210	QF10XBP25	0.62	0.75
4000211	QF16XBP12	0.62	0.75
4000212	QF16XBP25	0.62	0.75
4000213	QF25XBP12	0.88	0.75
4000214	QF25XBP25	0.88	0.75
4000215	QF40XBP12	1.25	1.00
4000216	QF40XBP25	1.25	1.00
4000217	QF50XBP12	1.75	1.00
4000218	QF50XBP25	1.75	1.00



NPT Female to QF Tee

Materials

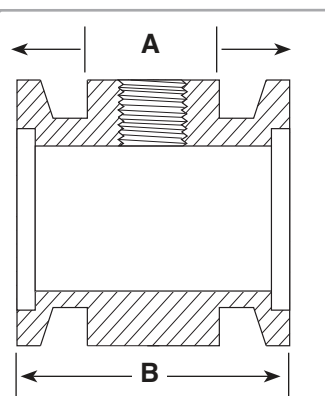
- 304 stainless steel or aluminum

Options: Call for price and delivery

- Additional sizes

Product Notes

- Adapts from NPT fitting to side port of ISO-QF nipple fitting



Stainless Steel

PART NUMBER	REFERENCE NUMBER	A	B
4000219	QF16X1/8NPT-ST	0.76	1.57
4000220	QF16X1/4NPT-ST	0.76	1.57
4000221	QF25X1/8NPT-ST	0.76	1.57
4000222	QF25X1/4NPT-ST	0.76	1.57
4000223	QF40X1/8NPT-ST	0.76	1.57
4000224	QF40X1/4NPT-ST	0.76	1.57
4000225	QF50X1/8NPT-ST	0.76	1.57
4000226	QF50X1/4NPT-ST	0.76	1.57

Aluminum

PART NUMBER	REFERENCE NUMBER	A	B
4000227	QF16X1/8NPT-AT	0.76	1.57
4000228	QF16X1/4NPT-AT	0.76	1.57
4000229	QF25X1/8NPT-AT	0.76	1.57
4000230	QF25X1/4NPT-AT	0.76	1.57
4000231	QF40X1/8NPT-AT	0.76	1.57
4000232	QF40X1/4NPT-AT	0.76	1.57
4000233	QF50X1/8NPT-AT	0.76	1.57
4000234	QF50X1/4NPT-AT	0.76	1.57



***ORDERING
NOTE**

For NPT female fittings to ISO-QF see pg. 8.14



NPT Male to QF

Materials

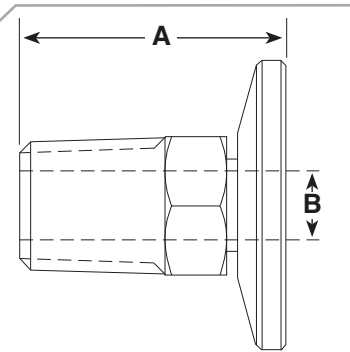
- 304 stainless steel

Product Notes

- Adapts from NPT fitting to ISO-QF flange

Options: Call for price and delivery

- Additional sizes



PART NUMBER	REFERENCE NUMBER	FLANGE	FITTING	A	B
4000235	QF16X12NPT	QF16	1/8 in. NPT	0.93	0.19
4000236	QF16X25NPT	QF16	1/4 in. NPT	1.09	0.29
4000237	QF25X12NPT	QF25	1/8 in. NPT	0.93	0.19
4000238	QF25X25NPT	QF25	1/4 in. NPT	1.09	0.29
4000239	QF25X50NPT	QF25	1/2 in. NPT	1.34	0.39
4000240	QF25X75NPT	QF25	3/4 in. NPT	1.34	0.55
4000241	QF25X100NPT	QF25	1 in. NPT	1.63	0.75
4000242	QF40X12NPT	QF40	1/8 in. NPT	0.93	0.19
4000243	QF40X25NPT	QF40	1/4 in. NPT	1.09	0.29
4000244	QF40X50NPT	QF40	1/2 in. NPT	1.34	0.39
4000245	QF40X75NPT	QF40	3/4 in. NPT	1.34	0.55
4000246	QF40X100NPT	QF40	1 in. NPT	1.63	0.75
4000249	QF50X12NPT	QF50	1/8 in. NPT	0.93	0.19
4000250	QF50X25NPT	QF50	1/4 in. NPT	1.09	0.29
4000251	QF50X50NPT	QF50	1/2 in. NPT	1.34	0.39
4000252	QF50X75NPT	QF50	3/4 in. NPT	1.34	0.55
4000253	QF50X100NPT	QF50	1 in. NPT	1.63	0.75

A&N Corporation

707 SW 19th Ave.
Williston, FL 32696
1(800) FLANGE1
FAX (352) 528-3441
www.ancorp.com



VCR® Female to CF

Materials

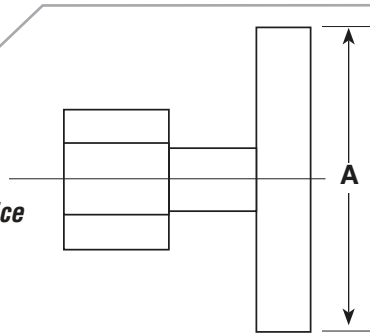
- CF flange: 304 stainless steel
- VCR® fitting: 316 stainless steel

Product Notes

- Adapts from VCR® fitting to CF flange

Options: Call for price and delivery

- Additional sizes



PART NUMBER	REFERENCE NUMBER	TUBE O.D.	A
5000633	133X25VCR-F	0.25	1.33
5000634	133X38VCR-F	0.38	1.33
5000635	275X25VCR-F	0.25	2.75
5000636	275X38VCR-F	0.38	2.75
5000637	275X50VCR-F	0.50	2.75



VCR® Male to CF

Materials

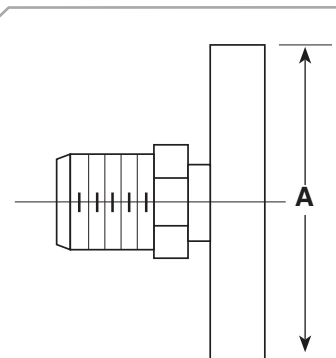
- CF Flange: 304 stainless steel
- VCR® Fitting: 316 stainless steel

Product Notes

- Adapts from VCR® fitting to CF flange

Options: Call for price and delivery

- Additional sizes



PART NUMBER	REFERENCE NUMBER	TUBE O.D.	A
5000627	133X25VCR-M	0.25	1.33
5000628	133X38VCR-M	0.38	1.33
5000629	275X25VCR-M	0.25	2.75
5000630	275X38VCR-M	0.38	2.75
5000631	275X50VCR-M	0.50	2.75



VCR® Female to QF

Materials

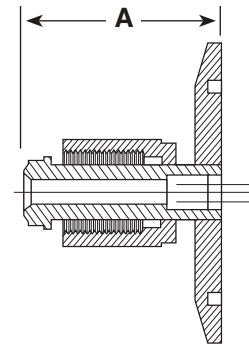
- QF flange:
304 stainless steel
- VCR® Fitting:
316 stainless steel

Product Notes

- Adapts from VCR® fitting to ISO-QF flange

Options: Call for price and delivery

- Additional sizes



PART NUMBER	REFERENCE NUMBER	TUBE O.D.	FLANGE TYPE	A
4000270	QF16X12VCR	0.12	QF16	0.85
4000271	QF16X25VCR	0.25	QF16	1.36
4000272	QF16X38VCR	0.38	QF16	1.55
4000273	QF16X50VCR	0.50	QF16	1.55
4000274	QF25X12VCR	0.12	QF25	0.85
4000275	QF25X25VCR	0.25	QF25	1.36
4000276	QF25X38VCR	0.38	QF25	1.55
4000277	QF25X50VCR	0.50	QF25	1.55
4000278	QF25X75VCR	0.75	QF25	2.15
4000279	QF25X100VCR	1.00	QF25	2.37
4000280	QF40X12VCR	0.12	QF40	0.85
4000281	QF40X25VCR	0.25	QF40	1.36
4000282	QF40X38VCR	0.38	QF40	1.55
4000283	QF40X50VCR	0.50	QF40	1.55
4000284	QF40X75VCR	0.75	QF40	2.15
4000285	QF40X100VCR	1.00	QF40	2.37
4000286	QF50X12VCR	0.12	QF50	0.85
4000287	QF50X25VCR	0.25	QF50	1.36
4000288	QF50X38VCR	0.38	QF50	1.55
4000289	QF50X50VCR	0.50	QF50	1.55
4000290	QF50X75VCR	0.75	QF50	2.15
4000291	QF50X100VCR	1.00	QF50	2.37

A&N Corporation

707 SW 19th Ave.
Williston, FL 32696
1(800) FLANGE1
FAX (352) 528-3441
www.ancorp.com



VCR® Male to QF

Materials

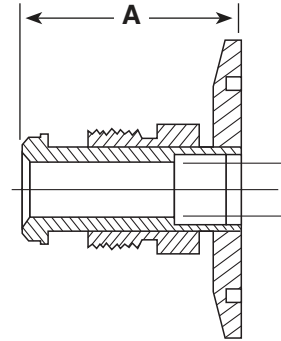
- QF flange:
304 stainless steel
- VCR® Fitting:
316 stainless steel

Product Notes

- Adapts from VCR® fitting to ISO-QF flange

Options: Call for price and delivery

- Additional sizes



PART NUMBER	REFERENCE NUMBER	TUBE O.D.	FLANGE TYPE	A
4000292	QF16X12VCR-M	0.12	QF16	0.85
4000293	QF16X25VCR-M	0.25	QF16	1.36
4000294	QF16X38VCR-M	0.38	QF16	1.55
4000295	QF16X50VCR-M	0.50	QF16	1.55
4000296	QF25X12VCR-M	0.12	QF25	0.85
4000297	QF25X25VCR-M	0.25	QF25	1.36
4000298	QF25X38VCR-M	0.38	QF25	1.55
4000299	QF25X50VCR-M	0.50	QF25	1.55
4000300	QF25X75VCR-M	0.75	QF25	2.15
4000301	QF25X100VCR-M	1.00	QF25	2.37
4000302	QF40X12VCR-M	0.12	QF40	0.85
4000303	QF40X25VCR-M	0.25	QF40	1.36
4000304	QF40X38VCR-M	0.38	QF40	1.55
4000305	QF40X50VCR-M	0.50	QF40	1.55
4000306	QF40X75VCR-M	0.75	QF40	2.15
4000307	QF40X100VCR-M	1.00	QF40	2.37
4000308	QF50X12VCR-M	0.12	QF50	0.85
4000309	QF50X25VCR-M	0.25	QF50	1.36
4000310	QF50X38VCR-M	0.38	QF50	1.55
4000311	QF50X50VCR-M	0.50	QF50	1.55
4000312	QF50X75VCR-M	0.75	QF50	2.15
4000313	QF50X100VCR-M	1.00	QF50	2.37



Swagelok® to CF

Materials

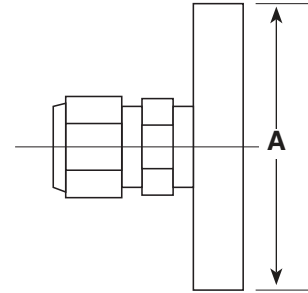
- CF flange: 304 stainless steel
- Swagelok® fitting: 316 stainless steel

Product Notes

- Adapts from Swagelok® fitting to CF flange

Options: Call for price and delivery

- Additional sizes



PART NUMBER	REFERENCE NUMBER	TUBE O.D.	A
5000619	133X25SWG	0.25	1.33
5000620	133X38SWG	0.33	1.33
5000621	133X50SWG	0.50	1.33
5000622	275X25SWG	0.25	2.75
5000623	275X38SWG	0.33	2.75
5000624	275X50SWG	0.50	2.75
5000625	275X75SWG	0.75	2.75
5000626	275X100SWG	1.00	2.75

A&N Corporation

707 SW 19th Ave.
Williston, FL 32696
1(800) FLANGE1
FAX (352) 528-3441
www.ancorp.com



Swagelok® to ISO-QF

Materials

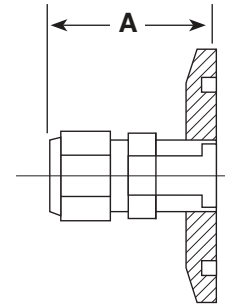
- QF flange:
304 stainless steel
- Swagelok® fitting:
316 stainless steel

Product Notes

- Adapts from Swagelok® fitting to ISO-QF flange

Options: Call for price and delivery

- Additional sizes



PART NUMBER	REFERENCE NUMBER	TUBE SIZE	FLANGE TYPE	A
4000314	QF16X12SWG	0.12	QF16	1.28
4000315	QF16X25SWG	0.25	QF16	1.53
4000316	QF16X38SWG	0.38	QF16	1.68
4000317	QF16X50SWG	0.50	QF16	1.97
4000318	QF25X12SWG	0.12	QF25	1.28
4000319	QF25X25SWG	0.25	QF25	1.53
4000320	QF25X38SWG	0.38	QF25	1.63
4000321	QF25X50SWG	0.50	QF25	1.97
4000322	QF25X75SWG	0.75	QF25	2.08
4000323	QF25X100SWG	1.00	QF25	2.88
4000324	QF40X12SWG	0.12	QF40	1.28
4000325	QF40X25SWG	0.25	QF40	1.53
4000326	QF40X38SWG	0.38	QF40	1.63
4000327	QF40X50SWG	0.50	QF40	1.97
4000328	QF40X75SWG	0.75	QF40	2.08
4000329	QF40X100SWG	1.00	QF40	2.53
4000330	QF50X12SWG	0.12	QF50	1.28
4000331	QF50X25SWG	0.25	QF50	1.53
4000332	QF50X38SWG	0.38	QF50	1.63
4000333	QF50X50SWG	0.50	QF50	1.97
4000334	QF50X75SWG	0.75	QF50	2.08
4000335	QF50X100SWG	1.00	QF50	2.53



Quick Disconnect to CF

Materials

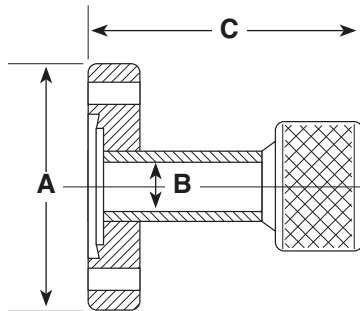
- Standard: 304 stainless steel
- Brass nut- this option is only available on the quick disconnect fitting

Product Notes

- Adapts from quick disconnect fitting to CF flange
- Convenient for mounting gauges, instruments or adding tube ports without welds
- Detailed information about quick disconnect fittings is available in Section 7

Options: Call for price and delivery

- Additional sizes



PART NUMBER	REFERENCE NUMBER	A	B	C
5000596	133XQ06	1.33	1/16	1.312
5000597	133XQ12	1.33	1/8	1.312
5000598	133XQ18	1.33	3/16	1.312
5000599	133XQ25	1.33	1/4	1.312
5000600	133XQ31	1.33	5/16	1.312
5000601	133XQ38	1.33	3/8	1.312
5000602	133XQ50	1.33	1/2	1.375
5000603	133XQ62	1.33	5/8	1.675
5000604	275XQ06	2.75	1/16	1.312
5000605	275XQ12	2.75	1/8	1.312
5000606	275XQ18	2.75	3/16	1.312
5000607	275XQ25	2.75	1/4	1.312
5000608	275XQ31	2.75	5/16	1.312
5000609	275XQ38	2.75	3/8	1.312
5000610	275XQ50	2.75	1/2	1.375
5000611	275XQ62	2.75	5/8	1.500
5000612	275XQ75	2.75	3/4	1.625
5000613	275XQ87	2.75	7/8	1.875
5000614	275XQ100	2.75	1	2.000
5000615	275XQ112	2.75	1 1/8	2.000
5000616	275XQ125	2.75	1 1/4	2.210
5000617	275XQ138	2.75	1 3/8	2.210
5000618	275XQ150	2.75	1 1/2	2.500

A&N Corporation

707 SW 19th Ave.
Williston, FL 32696
1(800) FLANGE1
FAX (352) 528-3441
www.ancorp.com



Quick Disconnect to QF

Materials

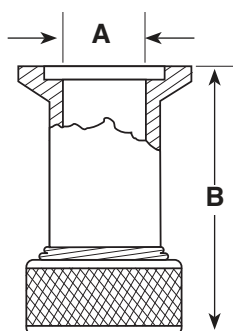
- Standard: 304 stainless steel
- Brass nut- this option is only available on the quick disconnect fitting

Product Notes

- Adapts from quick disconnect fitting to ISO-QF flange
- Convenient for mounting gauges, instruments or adding tube ports without welds
- Detailed information about quick disconnect fittings is available in section 7

Options: Call for price and delivery

- Additional sizes



PART NUMBER	REFERENCE NUMBER	TUBE SIZE	A	B
1000001	QF10XQ50	1/2	0.52	1.500
1000002	QF16XQ25	1/4	0.27	1.400
1000003	QF16XQ50	1/2	0.52	1.500
1000004	QF16XQ75	3/4	0.77	1.800
1000005	QF25XQ50	1/2	0.52	1.500
1000006	QF25XQ62	5/8	0.64	1.700
1000007	QF25XQ75	3/4	0.77	1.800
1000008	QF25XQ100	1	1.02	2.000
1000009	QF25XQ112	1 1/8	1.14	2.000
1000010	QF40XQ50	1/2	0.52	1.500
1000011	QF40XQ75	3/4	0.77	1.800
1000012	QF40XQ100	1	1.02	2.000
1000013	QF40XQ112	1 1/8	1.14	2.000
1000014	QF40XQ125	1 1/4	1.27	2.000
1000015	QF40XQ138	1 3/8	1.39	2.100
1000016	QF40XQ150	1 1/2	1.52	2.400
1000023	QF50XQ50	1/2	0.52	1.500
1000018	QF50XQ75	3/4	0.77	1.800
1000019	QF50XQ100	1	1.02	2.000
1000020	QF50XQ112	1 1/8	1.14	2.000
1000021	QF50XQ150	1 1/2	1.52	2.400
1000022	QF50XQ200	2	2.02	2.400



Baseplate Fitting to CF

Materials

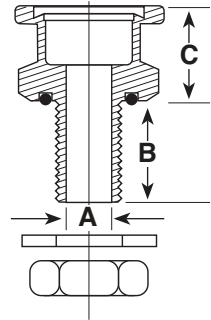
- 304 stainless steel

Product Notes

- Adapts from baseplate fitting to CF flange
- Baseplate fitting designed to fit through 1 inch diameter ports on baseplates up to 1inch thick

Options: Call for price and delivery

- Additional sizes



PART NUMBER	REFERENCE NUMBER	A	B	C
2000065	FTBH-CF212-100	0.75	1.620	1.28
2000066	FTBH-CF275-100	0.75	1.620	1.28



Baseplate Fitting to QF

Materials

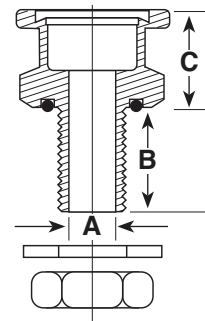
- 304 stainless steel

Product Notes

- Adapts from baseplate fitting to ISO-QF flange
- Baseplate fitting designed to fit through 1 inch diameter ports on baseplates up to 1inch thick

Options: Call for price and delivery

- Additional sizes



PART NUMBER	REFERENCE NUMBER	A	B	C
2000060	FTBH-QF25-100	0.75	1.620	1.28
2000061	FTBH-QF40-100	0.75	1.620	1.28

A&N Corporation

707 SW 19th Ave.
 Williston, FL 32696
 1(800) FLANGE1
 FAX (352) 528-3441
 www.ancorp.com



Baseplate Fitting to NPT Female

Materials

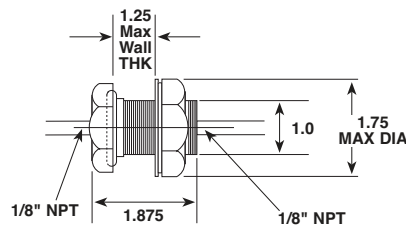
- 304 stainless steel
- Aluminium

Options: Call for price and delivery

- Additional sizes

Product Notes

- Adapts from baseplate fitting to NPT fitting
- Baseplate fitting designed to fit 1 inch diameter ports on baseplates up to 1 inch thick



Stainless Steel

PART NUMBER	REFERENCE NUMBER	DESCRIPTION
2000005	FTBH-12NPT-S	Baseplate Fitting to 1/8 in. Female NPT

Aluminum

PART NUMBER	REFERENCE NUMBER	DESCRIPTION
2000006	FTBH-12NPT-A	Baseplate Fitting to 1/8 in. Female NPT



Baseplate Fitting to Quick Disconnect

Materials

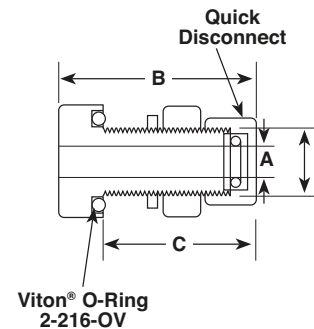
- 304 stainless steel
- Aluminium
- Brass – this option is only available on the quick disconnect fitting

Product Notes

- Adapts from baseplate fitting to quick disconnect fitting
- Baseplate fitting designed to fit 1 inch diameter ports on baseplates up to 1 1/4 inch thick
- Convenient for mounting gauges, instruments or adding tube ports without welds
- Detailed information about quick disconnect fittings is available in section 7

Options: Call for price and delivery

- Additional sizes



Stainless Steel

PART NUMBER	REFERENCE NUMBER	DIA A	B	C
2000050	FTQC-12-S	1/8	2.62	2.37
2000051	FTQC-25-S	1/4	2.62	2.37
2000052	FTQC-38-S	3/8	2.62	2.37
2000053	FTQC-50-S	1/2	2.62	2.37
2000054	FTQC-62-S	5/8	2.62	2.37
2000055	FTQC-75-S	3/4	2.62	2.37
2000057	FTQC-100-S	1	4.25	2.37

Aluminum

PART NUMBER	REFERENCE NUMBER	DIA A	B	C
2000035	FTQC-12-A	1/8	2.62	2.37
2000036	FTQC-25-A	1/4	2.62	2.37
2000037	FTQC-38-A	3/8	2.62	2.37
2000038	FTQC-50-A	1/2	2.62	2.37
2000039	FTQC-62-A	5/8	2.62	2.37
2000040	FTQC-75-A	3/4	2.62	2.37
2000045	FTQC-100-A	1	4.25	2.37

A&N Corporation

707 SW 19th Ave.
Williston, FL 32696
1(800) FLANGE1
FAX (352) 528-3441
www.ancorp.com



Baseplate Fitting Blank Plug

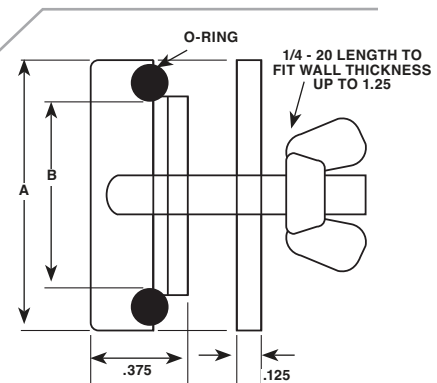
Materials

- 304 stainless steel, aluminum or brass

Product Notes

- Close unused baseplate ports

- Baseplate plugs designed to fit through 1 inch diameter ports on baseplates up to 1 inch thick



Stainless Steel

PART NUMBER	REFERENCE NUMBER	A	B	O-RING	DESCRIPTION
2000025	FTB-075-S	1.50	0.74	2-216	3/4 in. Hole
2000026	FTB-100-S	1.50	0.99	2-216	1 in. Hole
2000027	FTB-125-S	1.75	1.24	2-220	1 1/4 in. Hole
2000028	FTB-150-S	2.00	1.49	2-223	1 1/2 in. Hole
2000029	FTB-175-S	2.25	1.74	2-225	1 3/4 in. Hole

Aluminum

PART NUMBER	REFERENCE NUMBER	A	B	O-RING	DESCRIPTION
2000010	FTB-100-A	1.50	0.99	2-216	1 in. Hole

Brass

PART NUMBER	REFERENCE NUMBER	A	B	O-RING	DESCRIPTION
2000015	FTB-075-B	1.50	0.74	2-216	3/4 in. Hole
2000016	FTB-100-B	1.50	0.99	2-216	1 in. Hole
2000017	FTB-125-B	1.75	1.24	2-220	1 1/4 in. Hole
2000018	FTB-150-B	2.00	1.49	2-223	1 1/2 in. Hole
2000019	FTB-175-B	2.25	1.74	2-225	1 3/4 in. Hole



Ball Socket Fitting to QF

Materials

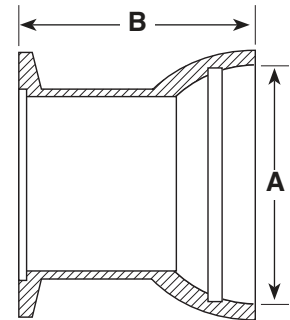
- 304 stainless steel

Product Notes

- Adapts from ball socket fitting to ISO-QF flange
- Available with and without O-ring groove

Options: Call for price and delivery

- Additional sizes



Smooth Socket

PART NUMBER	REFERENCE NUMBER	A	B
4000390	QF40X50/30BS	2.00	2.75
4000392	QF50X75/50BS	3.00	3.27

Socket with O-Ring Groove

PART NUMBER	REFERENCE NUMBER	O-RING SIZE	A	B
4000391	QF40X50/30BS-G	2-224	2.00	2.75
4000393	QF50X75/50BS-G	2-232	3.00	3.27

A&N Corporation

707 SW 19th Ave.
Williston, FL 32696
1(800) FLANGE1
FAX (352) 528-3441
www.ancorp.com



Ball Socket Fitting to LF

Materials

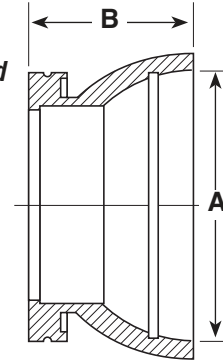
- 304 stainless steel

Options: Call for price and delivery

- Additional sizes

Product Notes

- Adapts from ball socket fitting to ISO-LF flange
- Available with and without O-ring groove



Smooth Socket

PART NUMBER	REFERENCE NUMBER	A	B
4500201	LF63-102/75BS	3.98	2.25
4500202	LF80-102/75BS	3.98	2.25
4500203	LF100-102/75BS	3.98	2.25

Socket with O-Ring Groove

PART NUMBER	REFERENCE NUMBER	O-RING SIZE	A	B
4500204	LF63-102/75BS-G	2-240	3.98	2.25
4500205	LF80-102/75BS-G	2-240	3.98	2.25
4500206	LF100-102/75BS-G	2-240	3.98	2.25



Welch Pump Adapter Fitting to QF

Materials

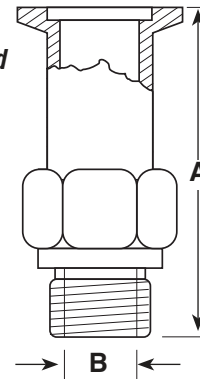
- 304 stainless steel

Options: Call for price and delivery

- Additional sizes

Product Notes

- Adapts from Welch Pump fitting to ISO-QF flange
- Aluminum washer included



PART NUMBER	REFERENCE NUMBER	FOR USE WITH WELCH PUMP NO.	A	B
4000380	QF16-WP1	1399, 1400, 1410	1.77	0.45
4000381	QF16-WP2	1405	2.56	0.56
4000382	QF25-WP1	1380, 1402, 1403, 8806, 8811, 8816, 8821	2.76	0.75
4000383	QF40-WP1	1373, 1376, 8831	2.56	1.13
4000384	QF40-WP2	1374, 1397, 8851	2.56	1.38

